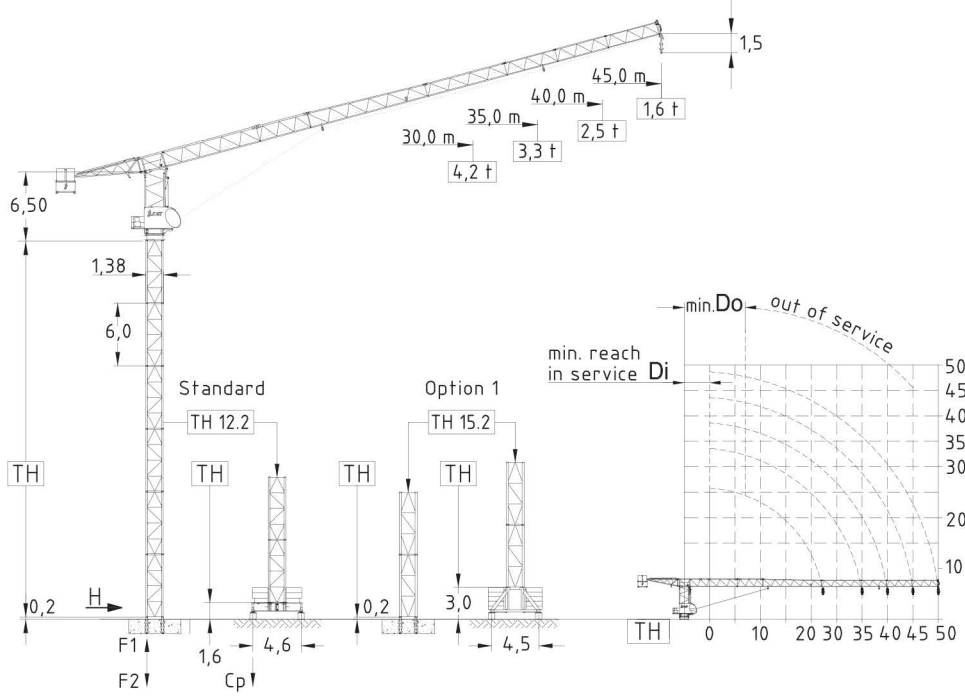
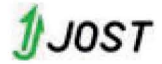


**JTL 108.6 - 6,0 ton**  
Tower TH 12.2 4-fall rope

**Topless Luffing crane**



Jib (m)	Jib reach (m)		Tower heights all data in (m)			
			Standard Tower		Option 1	
	Di	Do	Foundat.	Chassis	Foundat.	Chassis
30,0	3,6	10,9	TH 12.2	FC 4,6-12.2	TH 15.2	UC 4,5-15.2
35,0	3,6	10,9	33,0	30,0	39,0	36,0
40,0	3,6	9,6	30,0	30,0	36,0	33,0
45,0	3,6	9,6	27,0	27,0	33,0	30,0
			24,0	24,0	30,0	27,0

EN 14439 : 2008  
WIND C 25  
ISO 9001 : 2008



Radius & Capacity											
Jib		max. Load		Jib reach							
m	rope	t	m	18	20	22	25	30	35	40	45
45,0	4-fall	3,0	25,6	3,00	3,00	3,00	3,00	2,52	2,13	1,83	1,60
		6,0	13,3	4,36	3,90	3,53	3,07	2,52	2,13	1,83	1,60
40,0	4-fall	3,0	33,9	3,00	3,00	3,00	3,00	3,00	3,00	2,50	
		6,0	17,6	6,00	5,22	4,76	4,15	3,42	2,89	2,50	
35,0	4-fall	3,0	35,0	3,00	3,00	3,00	3,00	3,00	3,00	3,00	3,00
		6,0	19,9	6,00	5,94	5,45	4,70	3,91	3,30		
30,0	4-fall	3,0	30,0	3,00	3,00	3,00	3,00	3,00	3,00		
		6,0	21,4	6,00	6,00	5,82	5,08	4,20			

Hoist 22,0 kW FI							
t	m/min	0,7	1,2	1,8	2,8	3,0	3,0
		88	72	58	44	38	22
t	m/min	1,4	2,4	3,6	5,6	6,0	6,0
		44	36	29	22	19	11
Drum capacity						550,0 m	

Hoist 30,0 kW FI							
t	m/min	0,7	1,0	1,6	2,4	3,0	3,0
		124	114	90	68	58	32
t	m/min	1,4	2,0	3,2	4,8	6,0	6,0
		62	57	45	24	29	16
Drum capacity						970,0 m	

Power requirement  
400V (±10%) - 50Hz

Motor	11,0 kW FI	1 x 3,0 kW	2 x 5,0 kW
t/v	2,50 min	0,77 rpm	25,0 m/min
Power requirement		Hoist 22,0 kW	50 kVA
Upper part		Hoist 30,0 kW	60 kVA

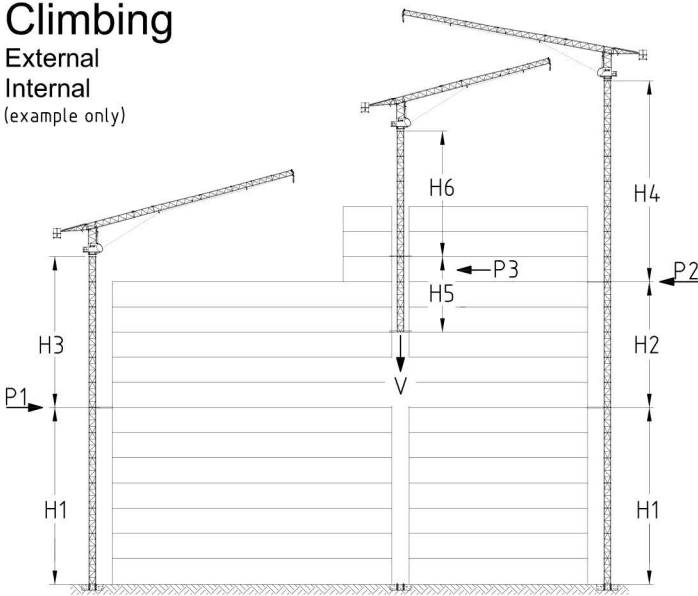
Shipping		
	Truck	Cont.
Top crane	5	6
Tower 2 unit	1	1
Climbing	1	1
Chasis	1	1

Counter weight	
Block 1	2 x 4,4 t
Block 2	1 x 7,2 t
Total	16,0 t

Ropes		
	D (mm)	N/mm <sup>2</sup>
Hoist	10,0	1960

# Climbing

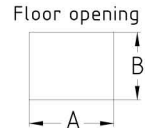
External  
Internal  
(example only)



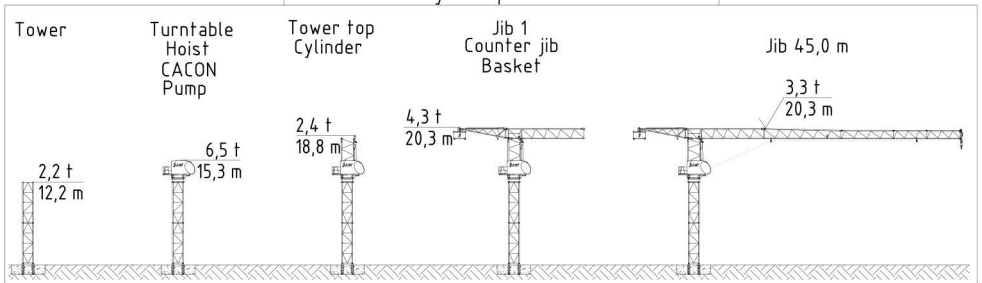
	m	in service	out of service
		t	t
H1	27,0		
H2	18,0		
H3	24,0		
H4	24,0		
H5	14,0		
H6	18,0		
A	2,00		
B	1,60		
P1		71,8	267,2
P2		78,5	243,9
P3		91,1	262,1
V		502,1	450,5

All data with TH 12.2

Jib length 30,0 m



## Assembly sequence TH 12.2



## Crane on foundation plate

Jib length (m)	Tower height (m)	No. of Towers	Foundation loadings			Corner forces	
			M (kNm)	V (kN)	H (kN)	F1 (kN)	F2 (kN)
45,0	24,0	4,0	3031,0	416,6	98,0	1600,0	- 1808,0
40,0	27,0	4,5	3095,0	425,6	98,7	1609,0	- 1821,0
35,0	30,0	5,0	3195,0	432,6	99,2	1589,0	- 1805,0
30,0	33,0	5,5	3281,0	438,6	99,8	1605,0	- 1824,0

## Crane on chassis

Jib length (m)	Tower height incl. chassis (m)	No. of Towers	in service		out of service		Ballast (t)
			Cp (kN)	H (kN)	Cp (kN)	H (kN)	
45,0	24,0	4,0	604,0	32,8	940,0	116,2	65,0
40,0	27,0	4,5	672,0	32,8	946,0	116,7	75,0
35,0	31,5	5,0	693,0	31,6	937,0	117,2	80,0
30,0	31,5	5,0	642,0	30,3	833,0	113,2	70,0

## Part list

Part	L (m)	W (m)	H (m)	kg	Part	L (m)	W (m)	H (m)	kg
Jib 01	11,95	1,10	2,02	2480	Counter jib	6,25	1,11	2,07	1110
Jib 02	11,82	1,10	1,57	1415	Hoist unit & rope	1,62	1,28	0,90	970
Jib 03	7,97	1,10	1,30	780	Turn table+slew.unit	2,18	1,90	1,85	3250
Jib 04	5,14	1,10	1,26	345	Tower top	5,50	1,20	2,50	2310
Jib 05	5,11	1,10	1,25	280	CACON & hydraulic	4,80	1,61	2,60	1800
Jib 06	5,10	1,10	1,26	200	Ballast basket	1,80	2,21	1,69	550
Jib end	1,08	0,40	1,78	230	Hook block	0,70	0,35	1,26	280