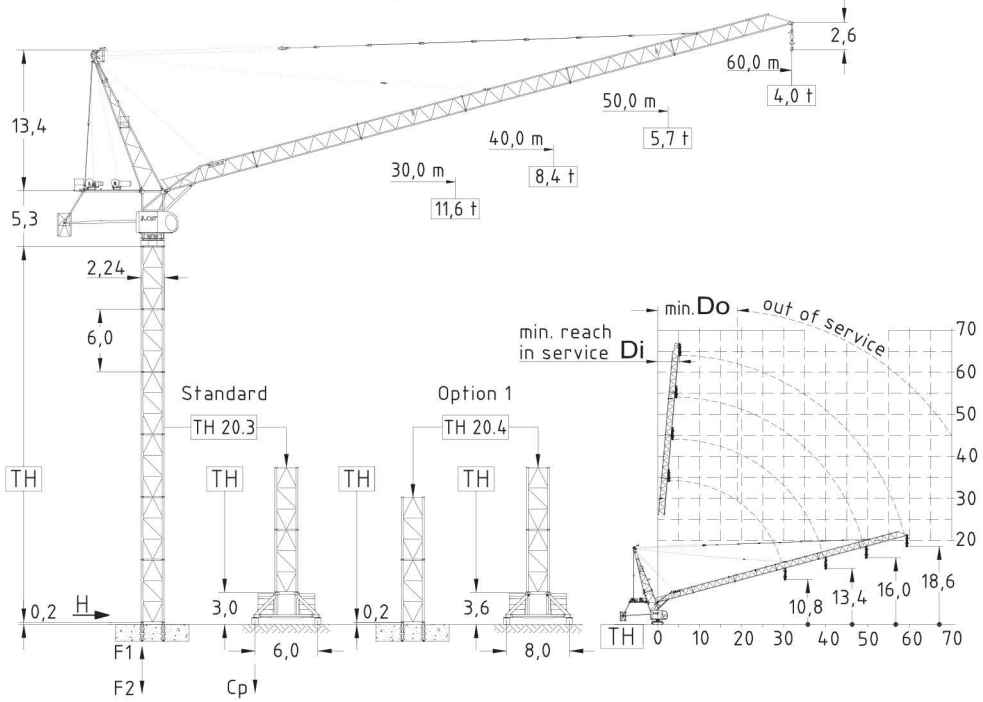
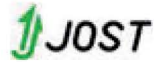


## JL 316.16 - 16,0 ton Luffing crane

Tower TH 20.3 4-fall rope



Jib (m)	Jib reach (m)		Tower heights all data in (m)			
	Di	Do	Standard Tower		Option 1	
			Foundat.	Chassis	Foundat.	Chassis
			TH 20.3	UC 6,0-20.3	TH 20.4	UC 8,0-20.4
30,0	3,0	19,0	51,0	39,0	63,0	54,0
40,0	4,0	19,0	45,0	33,0	57,0	48,0
50,0	5,0	19,0	42,0	30,0	51,0	42,0
60,0	6,0	19,0	36,0	24,0	48,0	36,0

EN 14439 : 2008  
WIND C 25  
ISO 9001 : 2008



Jib		max. Load	Jib reach											
m	rope		t	m	20	22	25	30	35	40	45	50	55	60
60,0		8,0	31,3	8,00	8,00	8,00	8,00	7,10	6,17	5,45	4,87	4,40	4,00	-
50,0		8,0	36,2	8,00	8,00	8,00	8,00	8,00	7,21	6,39	5,70	-	-	-
		16,0	18,4	14,60	13,60	11,60	9,62	8,03	7,02	6,19	5,50	-	-	-
40,0		8,0	40,0	8,00	8,00	8,00	8,00	8,00	8,00	8,00	8,00	-	-	-
		16,0	21,7	16,00	15,78	13,80	11,40	9,62	8,40	-	-	-	-	-
30,0		8,0	30,0	8,00	8,00	8,00	8,00	-	-	-	-	-	-	-
		16,0	22,1	16,00	16,00	14,32	11,60	-	-	-	-	-	-	-

Hoist 55,0 kW FI								
	t	1,5	2,8	5,0	6,2	7,2	8,0	
	m/min	104	82	62	54	42	30	
	t	3,0	5,6	10,7	12,4	14,2	16,0	
	m/min	52	41	31	27	21	15	
Drum capacity		114,0 m						

Hoist 75,0 kW FI								
	t	2,8	3,6	5,2	6,2	7,0	8,0	
	m/min	140	120	90	76	60	42	
	t	5,6	7,2	10,4	12,4	14,0	16,0	
	m/min	70	60	45	38	30	21	
Drum capacity		95,0 m						

Power requirement  
400V (±10%) - 50Hz

Motor	30,0 kW FI t/v 2,10 min	2 x 4,4 kW 0,67 rpm	4 x 5,0 kW 25,0 m/min
Power requirement		Hoist 55,0 kW	130 kVA
Upper part		Hoist 75,0 kW	180 kVA

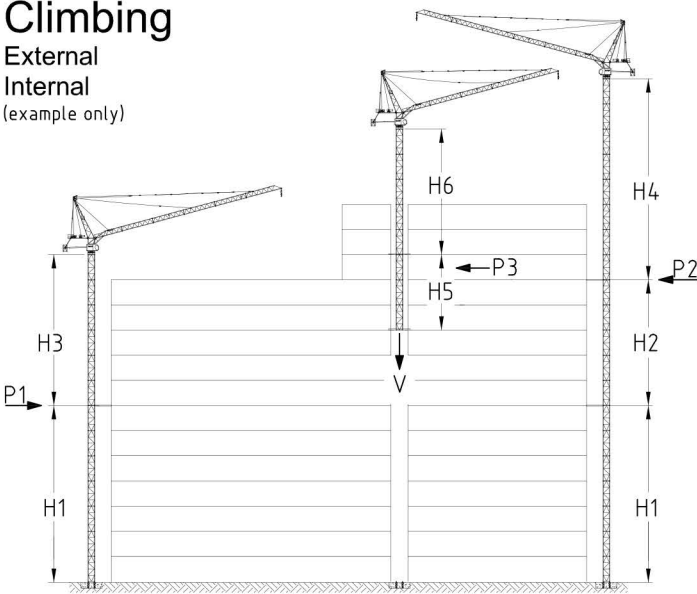
Shipping		
	Truck	Cont.
Top crane	6	7
Tower	2 unit	1
Climbing	2	2
Chassis	1	1

Counter weight	
Block 1	9 x 3,4 t
Block 2	-
Total	30,6 t

Ropes		
	D (mm)	N/mm <sup>2</sup>
Hoist	16,0	1960
Luffing	16,0	1960

# Climbing

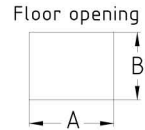
External  
Internal  
(example only)



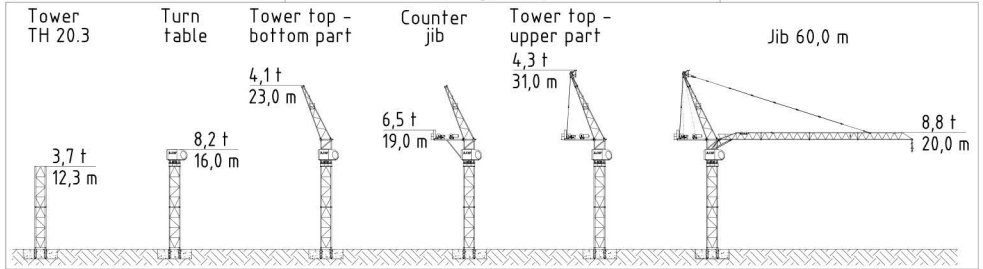
		in service	out of service
	m	t	t
H1	42,0		
H2	30,0		
H3	36,0		
H4	36,0		
H5	16,0		
H6	24,0		
A	2,90		
B	2,40		
P1		168,6	423,6
P2		183,6	300,4
P3		301,0	423,6
V		1089,8	889,8

All data with TH 20.3

Jib length 30,0 m



## Assembly sequence



## Crane on foundation plate

Jib length (m)	Tower height (m)	No. of Towers	Tower TH 20.3			Corner forces	
			Foundation loadings			F1 (kN)	F2 (kN)
			M (kNm)	V (kN)	H (kN)		
60,0	36,0	6,0	8889,0	917,5	161,0	2239,0	- 2698,0
50,0	42,0	7,0	9040,0	947,7	161,7	2235,0	- 2709,0
40,0	45,0	7,5	9284,0	956,1	167,2	2065,0	- 2543,0
30,0	51,0	8,5	9507,0	946,5	167,4	2107,0	- 2581,0

## Crane on chassis

Jib length (m)	Tower height incl. chassis (m)	No. of Towers	Tower TH 20.3 / 6,0 m				Ballast (t)
			in service		out of service		
			Cp (kN)	H (kN)	Cp (kN)	H (kN)	
60,0	27,0	4,0	961,0	59,9	1208,0	202,3	75,0
50,0	33,0	5,0	1116,0	62,1	1198,0	204,3	95,0
40,0	36,0	5,5	1195,0	59,5	1063,0	201,2	105,0
30,0	42,0	6,5	1119,0	59,0	1101,0	201,9	120,0

## Part list

Part	L (m)	W (m)	H (m)	kg	Part	L (m)	W (m)	H (m)	kg	
Jib	01	9,46	1,88	1,83	1800	Counter jib	4,36	2,45	0,70	1200
Jib	02	10,35	1,88	1,64	1170	Hoist unit & rope	2,87	1,90	1,03	3000
Jib	03	10,35	1,88	1,64	1005	Luffing unit & rope	2,73	1,72	1,04	2010
Jib	04	10,35	1,88	1,64	945	Turn table+slew.unit	2,90	2,30	2,10	6350
Jib	05	10,35	1,88	1,64	815	Tower top - BP	7,60	2,20	2,40	4080
Jib	06	11,73	1,88	1,68	1220	Tower top - UP	11,38	2,10	1,73	3560
Hook block		1,07	0,82	0,50	560	Cabin & controlhous.	4,00	1,31	2,20	1800