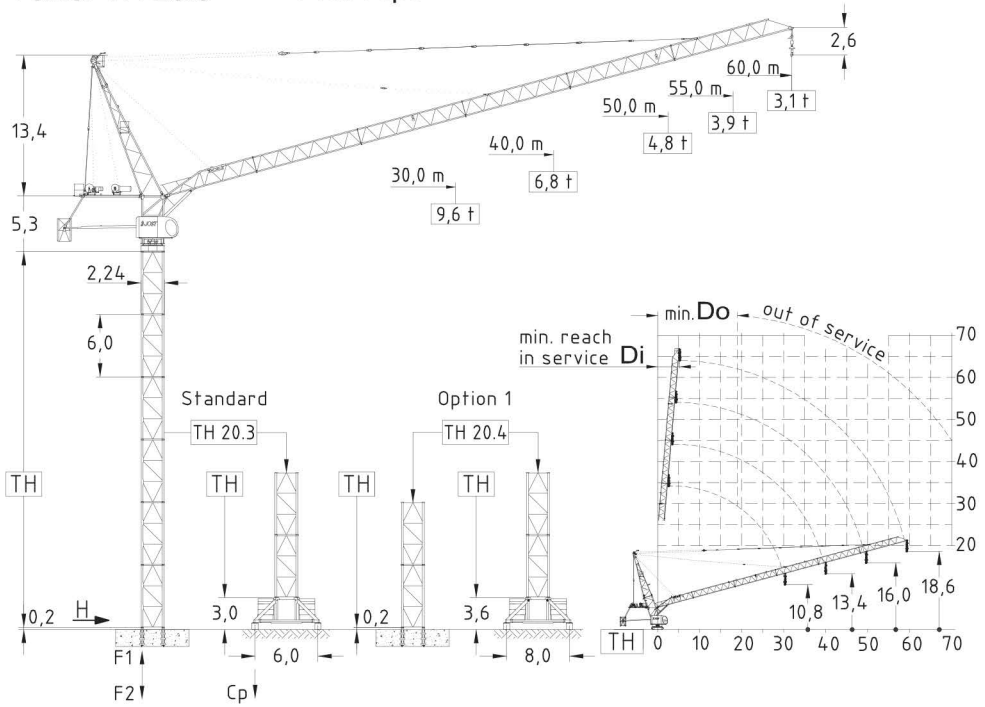
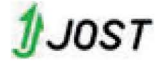


JL 256.16 - 16,0 ton Luffing crane

Tower TH 20.3 4-fall rope



Jib (m)	Jib reach (m)		Tower heights all data in (m)			
	Di	Do	Standard Tower		Option 1	
			Foundat.	Chassis	Foundat.	Chassis
			TH 20.3	UC 6,0-20.3	TH 20.4	UC 8,0-20.4
30,0	3,0	19,0	51,0	39,0	63,0	51,0
40,0	4,0	19,0	45,0	33,0	57,0	45,0
50,0	5,0	19,0	42,0	30,0	51,0	39,0
55,0	5,5	19,0	36,0	24,0	48,0	36,0
60,0	6,0	19,0	36,0	24,0	48,0	36,0

EN 14439 : 2008
 WIND C 25
 ISO 9001 : 2008



Radius & Capacity													
Jib (m)	rope	max. Load (t)	Jib reach (m)										
			20	22	25	30	35	40	45	50	55	60	
60,0	⊗	8,0	24,8	8,00	8,00	7,87	6,82	5,94	4,90	4,33	3,83	3,44	3,10
	⊙	-	-	-	-	-	-	-	-	-	-	-	-
55,0	⊗	8,0	28,0	8,00	8,00	8,00	7,42	6,32	5,84	4,84	4,33	3,90	-
	⊙	-	-	-	-	-	-	-	-	-	-	-	-
50,0	⊗	8,0	30,8	8,00	8,00	8,00	8,00	7,00	6,07	5,37	4,80	-	-
	⊙	16,0	15,4	12,13	10,89	9,62	7,90	6,70	5,77	5,07	4,50	-	-
40,0	⊗	8,0	34,3	8,00	8,00	8,00	8,00	7,81	6,80	-	-	-	-
	⊙	16,0	17,2	13,62	12,31	10,76	8,86	7,51	6,50	-	-	-	-
30,0	⊗	8,0	30,0	8,00	8,00	8,00	8,00	-	-	-	-	-	-
	⊙	16,0	18,5	14,71	13,30	11,65	9,60	-	-	-	-	-	-

Hoist 55,0 kW FI							
⊗	t	1,5	2,8	5,0	6,2	7,2	8,0
	m/min	104	82	62	54	42	30
⊙	t	3,0	5,6	10,7	12,4	14,2	16,0
	m/min	52	41	31	27	21	15
Drum capacity							1140,0 m

Hoist 75,0 kW FI							
⊗	t	2,8	3,6	5,2	6,2	7,0	8,0
	m/min	140	120	90	76	60	42
⊙	t	5,6	7,2	10,4	12,4	14,0	16,0
	m/min	70	60	45	38	30	21
Drum capacity							950,0 m

Power requirement
 400V (±10%) - 50Hz

Motor	30,0 kW FI	2 x 4,4 kW	4 x 5,0 kW
t/v	2,10 min	0,67 rpm	25,0 m/min
Power requirement		Hoist 55,0 kW	130 kVA
Upper part		Hoist 75,0 kW	180 kVA

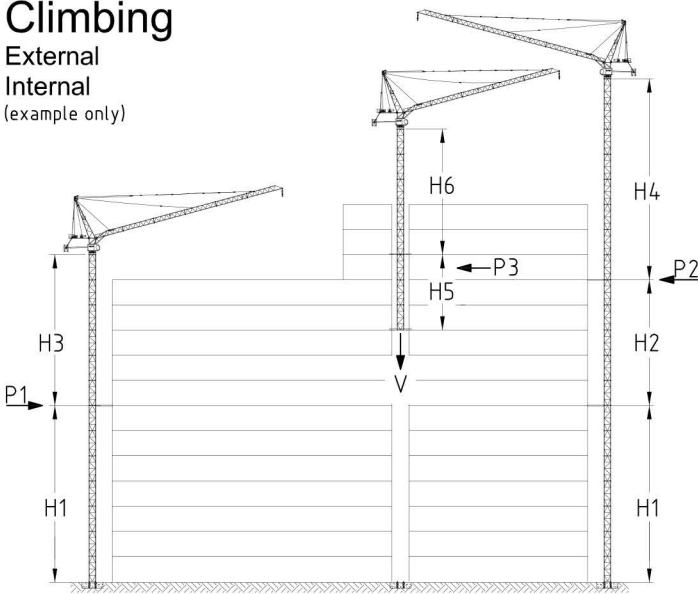
	Shipping	
	Truck	Cont.
Top crane	6	7
Tower 2 unit	1	1
Climbing	2	2
Chassis	1	1

Counter weight	
Block 1	5 x 3,4 t
Block 2	1 x 6,0 t
Total	23,0 t

	Ropes	
	D (mm)	N/mm ²
Hoist	16,0	1960
Luffing	16,0	1960

Climbing

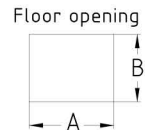
External
Internal
(example only)



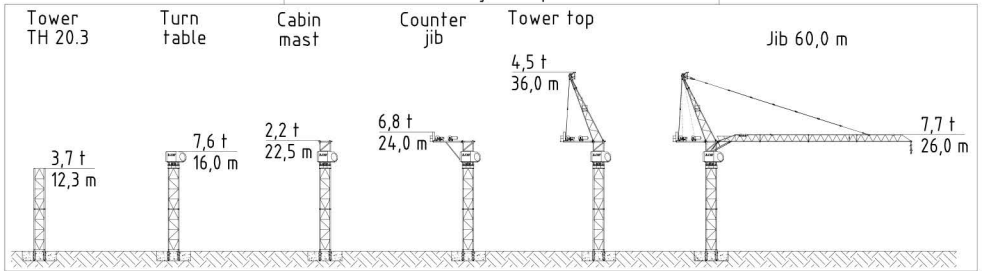
	m	in service	out of service
		t	t
H1	42,0		
H2	30,0		
H3	36,0		
H4	36,0		
H5	16,0		
H6	24,0		
A	2,90		
B	2,40		
P1		160,2	427,3
P2		173,7	312,8
P3		284,2	445,5
V		961,7	761,7

All data with TH 20.3

Jib length 30,0 m



Assembly sequence



Crane on foundation plate

Jib length (m)	Tower height (m)	No. of Towers	Tower TH 20.3			Corner forces	
			Foundation loadings			F1	F2
			M (kNm)	V (kN)	H (kN)	(kN)	(kN)
60,0	36,0	6,0	8090,0	785,2	158,5	2364,0	- 2757,0
55,0	39,0	6,5	8170,0	801,3	159,0	2342,0	- 2742,0
50,0	42,0	7,0	8267,0	814,4	159,5	2323,0	- 2730,0
40,0	45,0	7,5	8037,0	791,3	162,2	2198,0	- 2593,0
30,0	51,0	8,5	8526,0	818,4	164,8	2257,0	- 2667,0

Crane on chassis

Jib length (m)	Tower height incl. chassis (m)	No. of Towers	Tower TH 20.3 / 6,0 m				Ballast (t)
			in service		out of service		
			Cp (kN)	H (kN)	Cp (kN)	H (kN)	
60,0	24,0	3,5	826,0	52,1	1115,0	192,4	60,0
55,0	27,0	4,0	884,0	53,2	1117,0	193,2	70,0
50,0	30,0	4,5	935,0	54,4	1119,0	194,2	75,0
40,0	36,0	5,5	1116,0	59,2	1203,0	199,2	90,0
30,0	42,0	6,5	1114,0	57,9	1116,0	198,9	110,0

Part list

Part	L (m)	W (m)	H (m)	kg	Part	L (m)	W (m)	H (m)	kg
Jib 01	9,30	1,88	1,77	1930	Counter jib	4,36	2,45	0,70	1200
Jib 02	10,35	1,88	1,64	1050	Hoist unit & rope	2,87	1,90	1,03	3000
Jib 03	10,35	1,88	1,64	950	Luffing unit & rope	2,73	1,72	1,04	2010
Jib 04	10,35	1,88	1,64	840	Turn table+slew.unit	2,90	2,30	2,10	6350
Jib 05	10,35	1,88	1,64	840	Tower top - BP&UP	11,86	1,88	2,15	3250
Jib 06	11,73	1,88	1,68	1080	Cabin mast	4,23	2,10	2,60	2140
Hook block	1,07	0,82	0,50	560	Cabin & controlhous.	4,00	1,31	2,20	1800